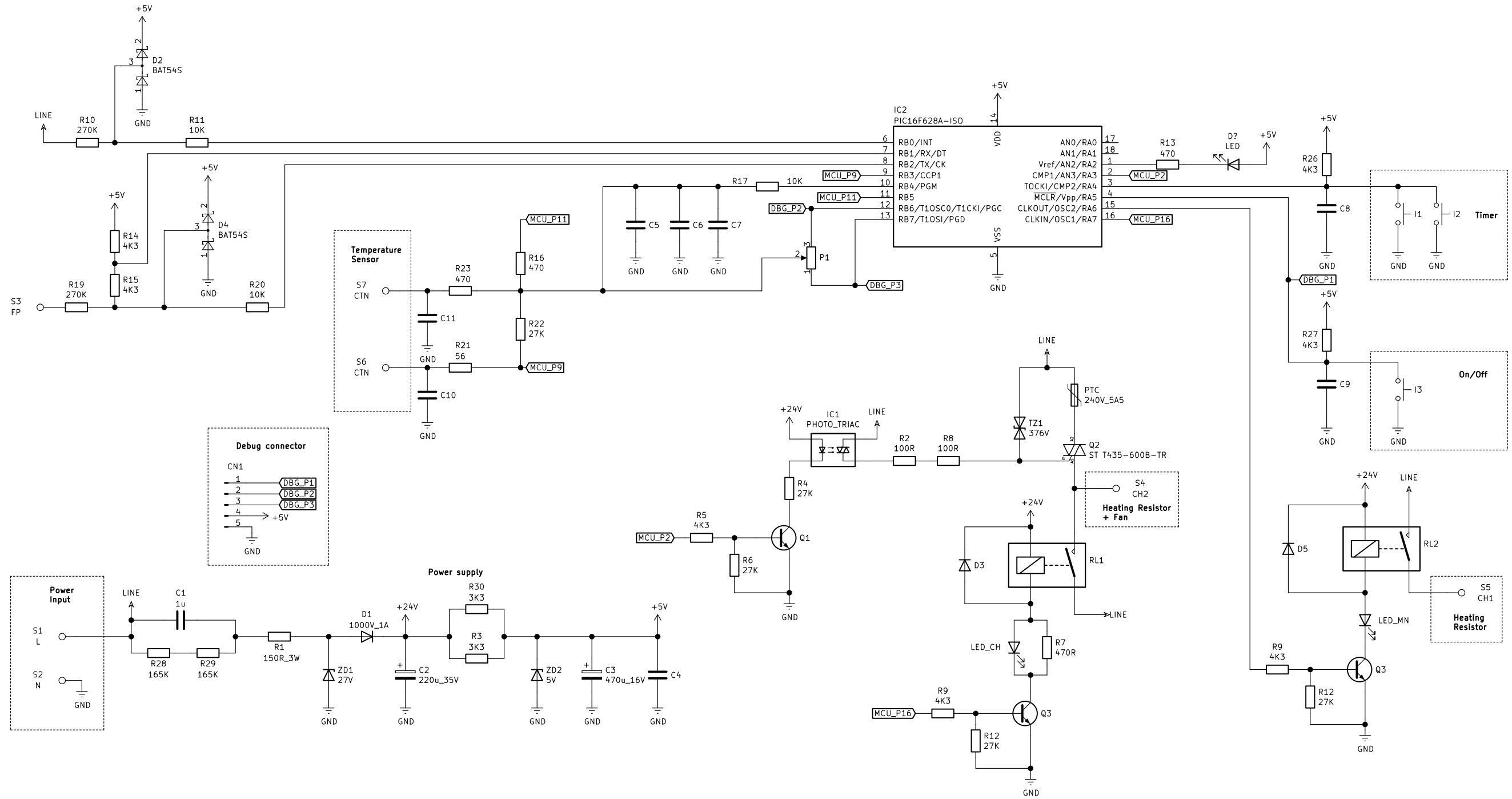


Airelec Indigo controller PCB



Title: Airelec Indigo Control board schematic

Sheet: /
File: airelecindigo.sch

Size: A3 Date: 2021-02-02
KiCad E.D.A. kicad (5.1.9)-1



Rev: 1.0.0
Page: 1/1